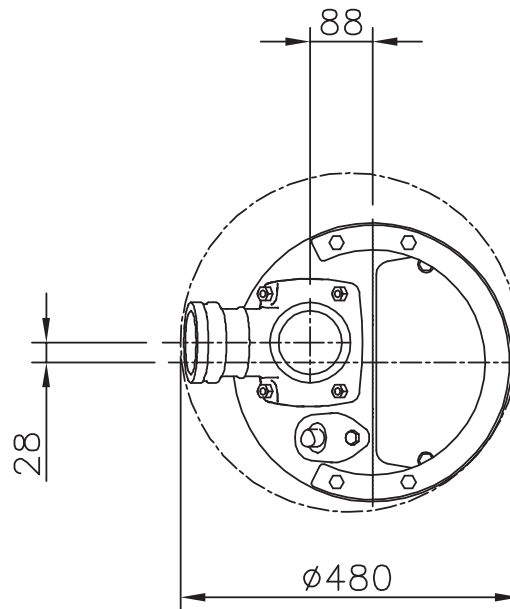
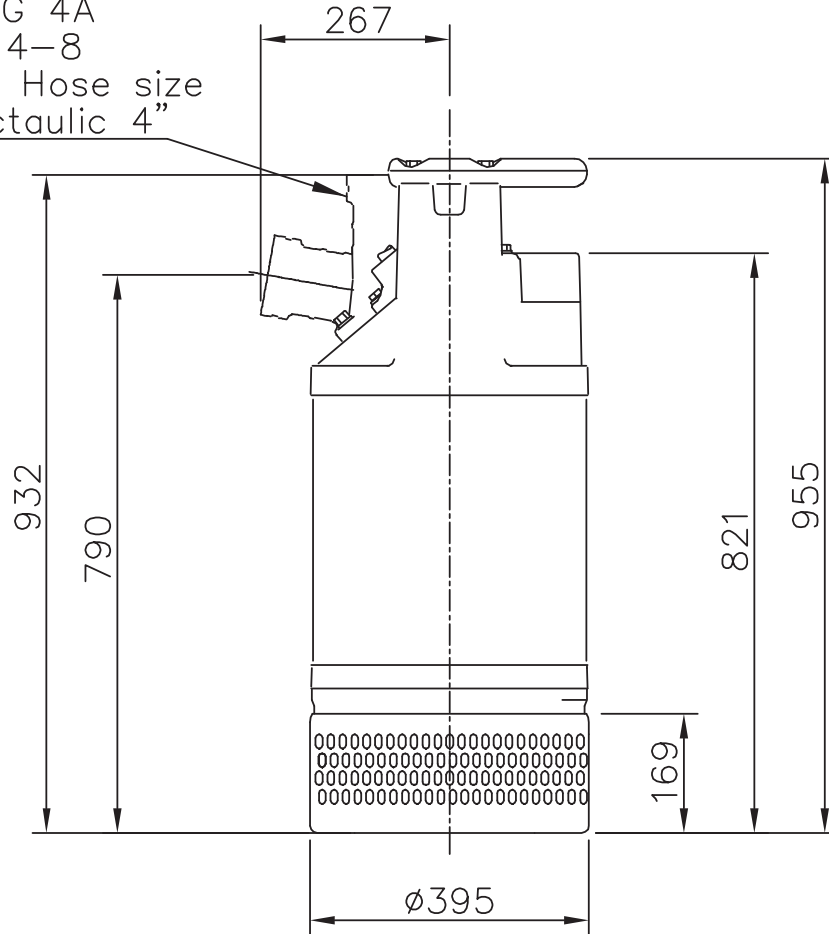



ISO-G 4A
 NPT 4-8
 Ø100 Hose size
 * Victaulic 4"



* Designed for "Victaulic Coupling",
 according to ANSI/AWWA C606-97

Screen opening 10x20

Weight (kg)
Total
140

 AUTOCAD DRAWING	Denomination Dimensional drwg BS 2670.080,180 HT ISO-G 4A	Drawn by NK	Checked by	Date 090113
		Scale 1:10	Reg no 5399	6653800