

NP 3127 MT 3~ Adaptive 437

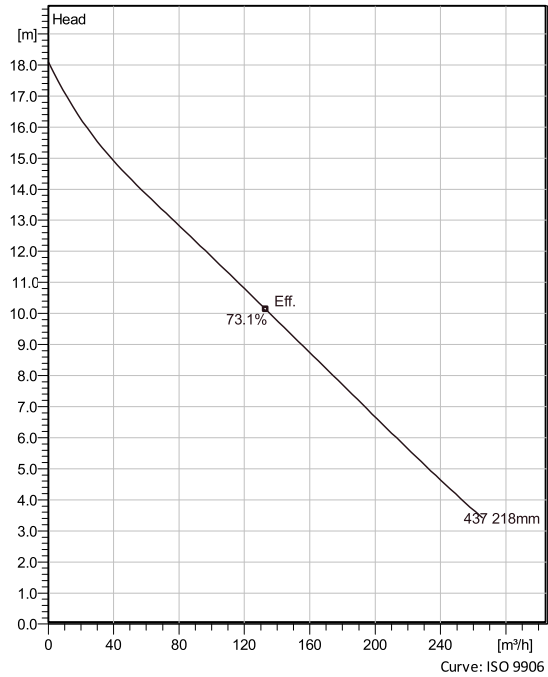
Patented self cleaning semi-open channel impeller, ideal for pumping in most waste water applications. Modular based design with high adaptation grade.



Technical specification



Curves according to: Water, pure Water, pure [100%], 4 °C, 999.9 kg/m³, 1.5692 mm²/s



Configuration

Motor number N3127.161 21-12-4AL-W 5.9KW	Installation type P - Semi permanent, Wet
Impeller diameter 218 mm	Discharge diameter 150 mm

Pump information

Impeller diameter 218 mm
Discharge diameter 150 mm
Inlet diameter 150 mm
Maximum operating speed 1455 rpm
Number of blades 2
Max. fluid temperature 40 °C

Materials

Impeller Grey cast iron
Stator housing material Grey cast iron

Project	Created by
Block	Created on 1/14/2022 Last update 1/14/2022

NP 3127 MT 3~ Adaptive 437

Technical specification



Motor - General

Motor number N3127.161 21-12-4AL-W 5.9KW	Phases 3~	Rated speed 1455 rpm	Rated power 5.9 kW
Approval No	Number of poles 4	Rated current 13 A	Stator variant 34
Frequency 50 Hz	Rated voltage 400 V	Insulation class H	Type of Duty S1
Version code 161			

Motor - Technical

Power factor - 1/1 Load 0.78	Motor efficiency - 1/1 Load 85.8 %	Total moment of inertia 0.0633 kg m ²	Starts per hour max. 30
Power factor - 3/4 Load 0.71	Motor efficiency - 3/4 Load 86.6 %	Starting current, direct starting 79 A	
Power factor - 1/2 Load 0.59	Motor efficiency - 1/2 Load 85.3 %	Starting current, star-delta 26.3 A	

Project
Block

Created by
Created on 1/14/2022 **Last update** 1/14/2022

NP 3127 MT 3~ Adaptive 437

Performance curve

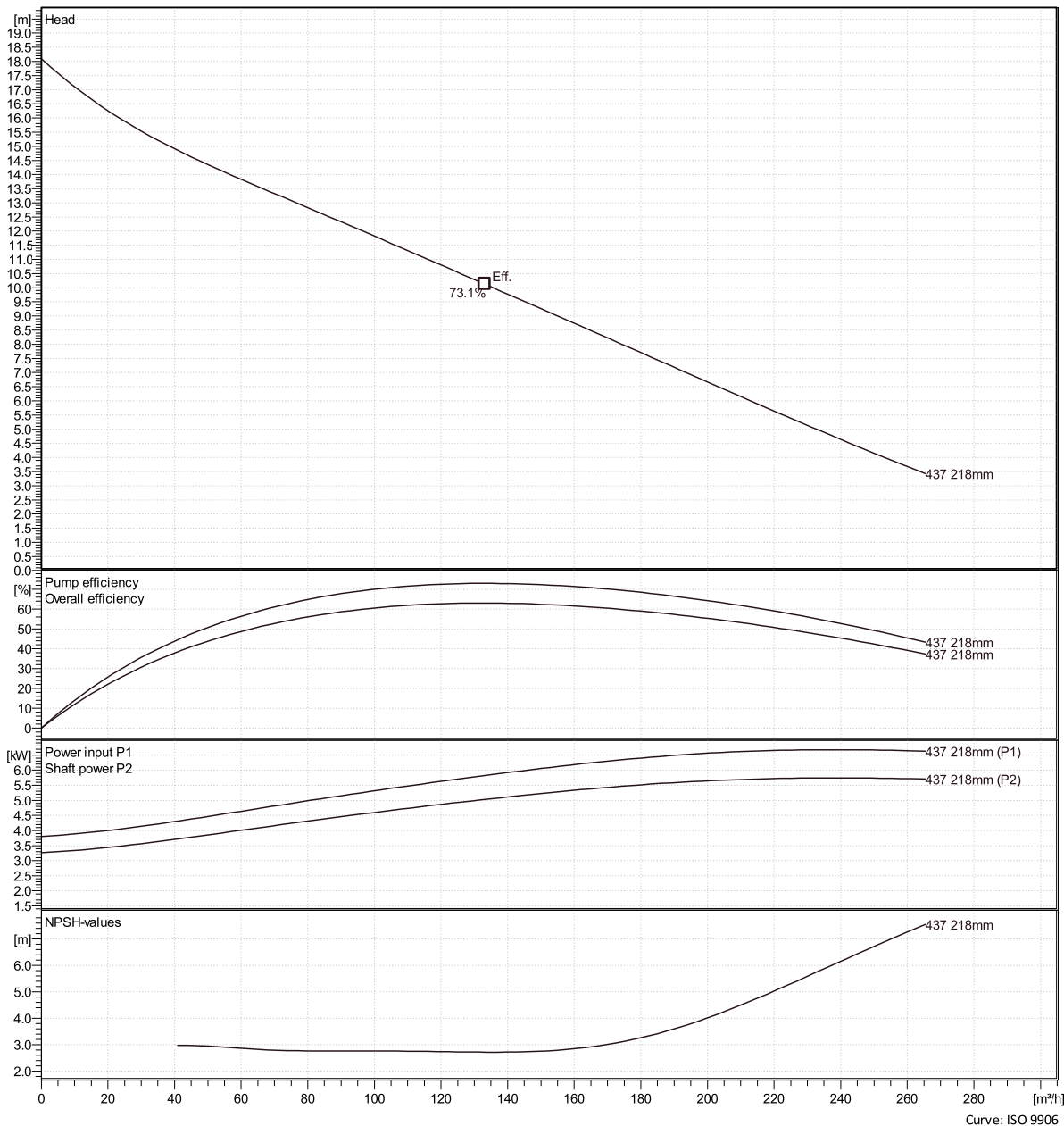


Duty point

Flow

Head

Curves according to: Water, pure Water, pure [100%], 4 °C, 999.9 kg/m³, 1.5692 mm²/s



Project

Created by

Block

Created on

1/14/2022

Last update

1/14/2022

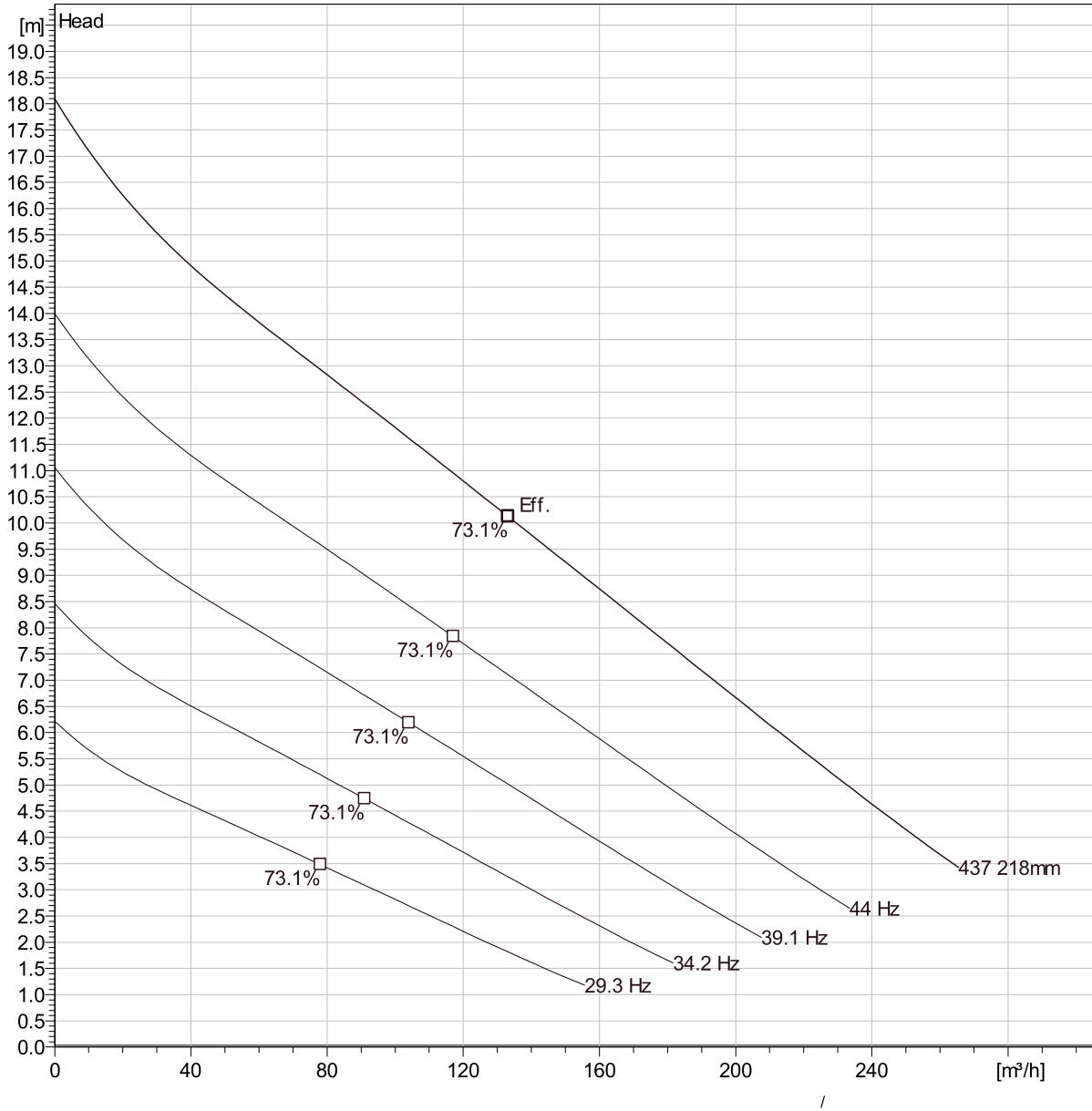
Curve: ISO 9906

NP 3127 MT 3~ Adaptive 437

Duty Analysis



Curves according to: Water, pure [100%]; 4°C; 999.9kg/m³; 1.5692mm²/s



Operating characteristics

Pumps / Systems	Flow m³/h	Head m	Shaft power kW	Flow m³/h	Head m	Shaft power kW	Hydr. eff.	Spec. Energy kWh/m³	NPSHre m
-----------------	--------------	-----------	-------------------	--------------	-----------	-------------------	------------	------------------------	-------------

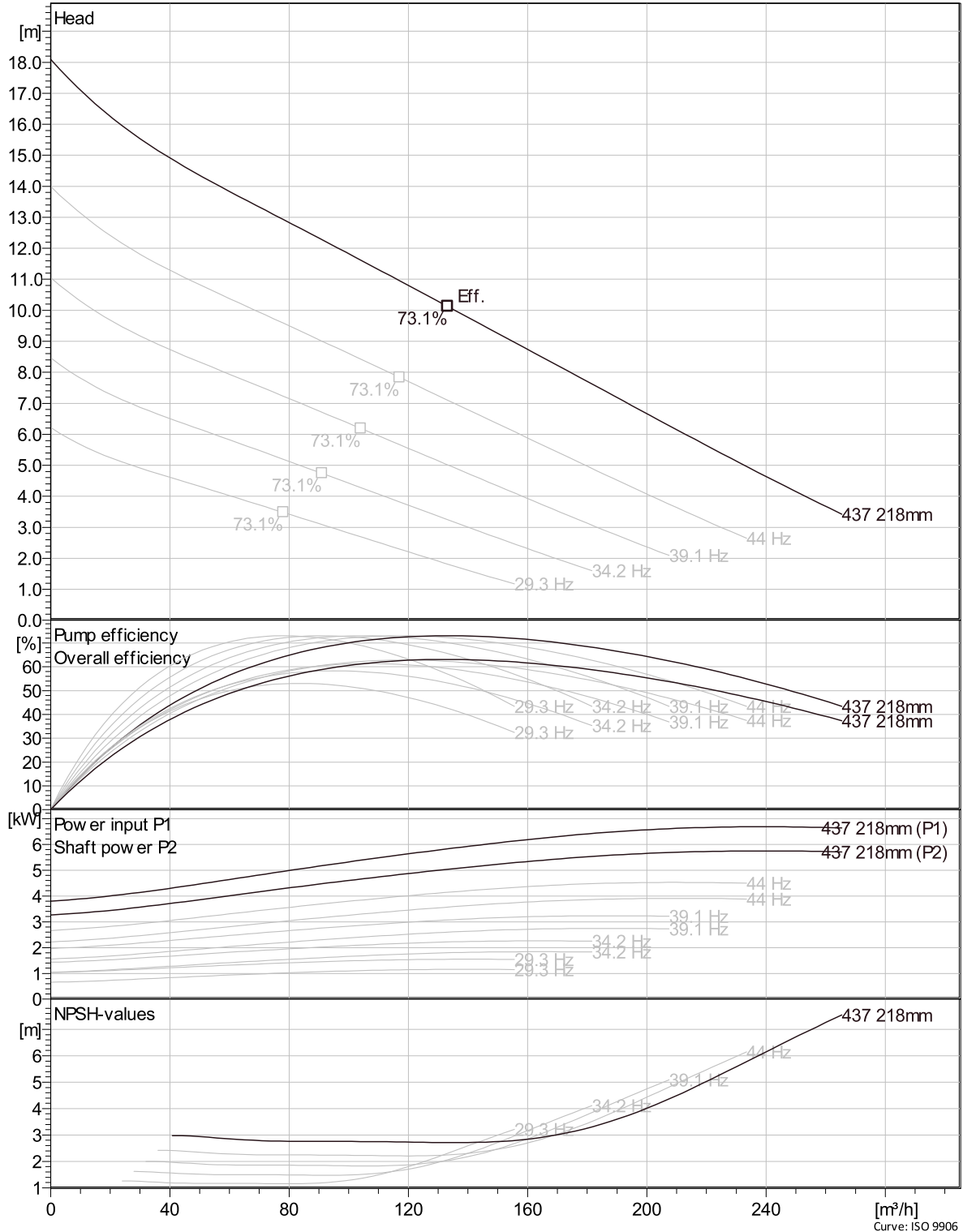
Project	Created by			
Block	Created on	1/14/2022	Last update	1/14/2022

NP 3127 MT 3~ Adaptive 437

VFD Curve



Curves according to: Water, pure, 4 °C, 999.9 kg/m³, 1.5692 mm²/s



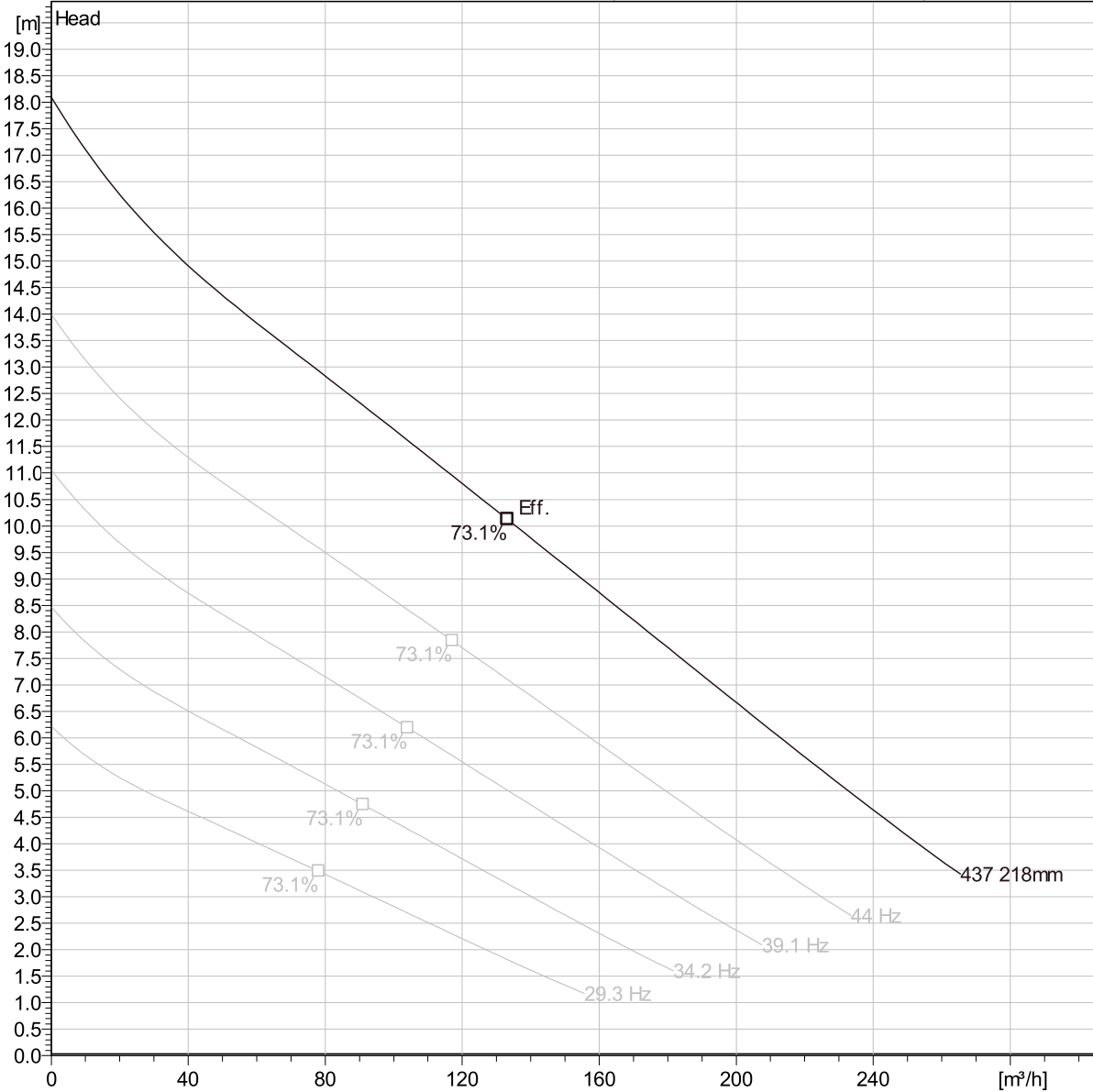
Project	Created by		
Block	Created on	1/14/2022	Last update 1/14/2022

NP 3127 MT 3~ Adaptive 437

VFD Analysis



Curves according to: Water, pure [100%]; 4°C; 999.9kg/m³; 1.5692mm²/s



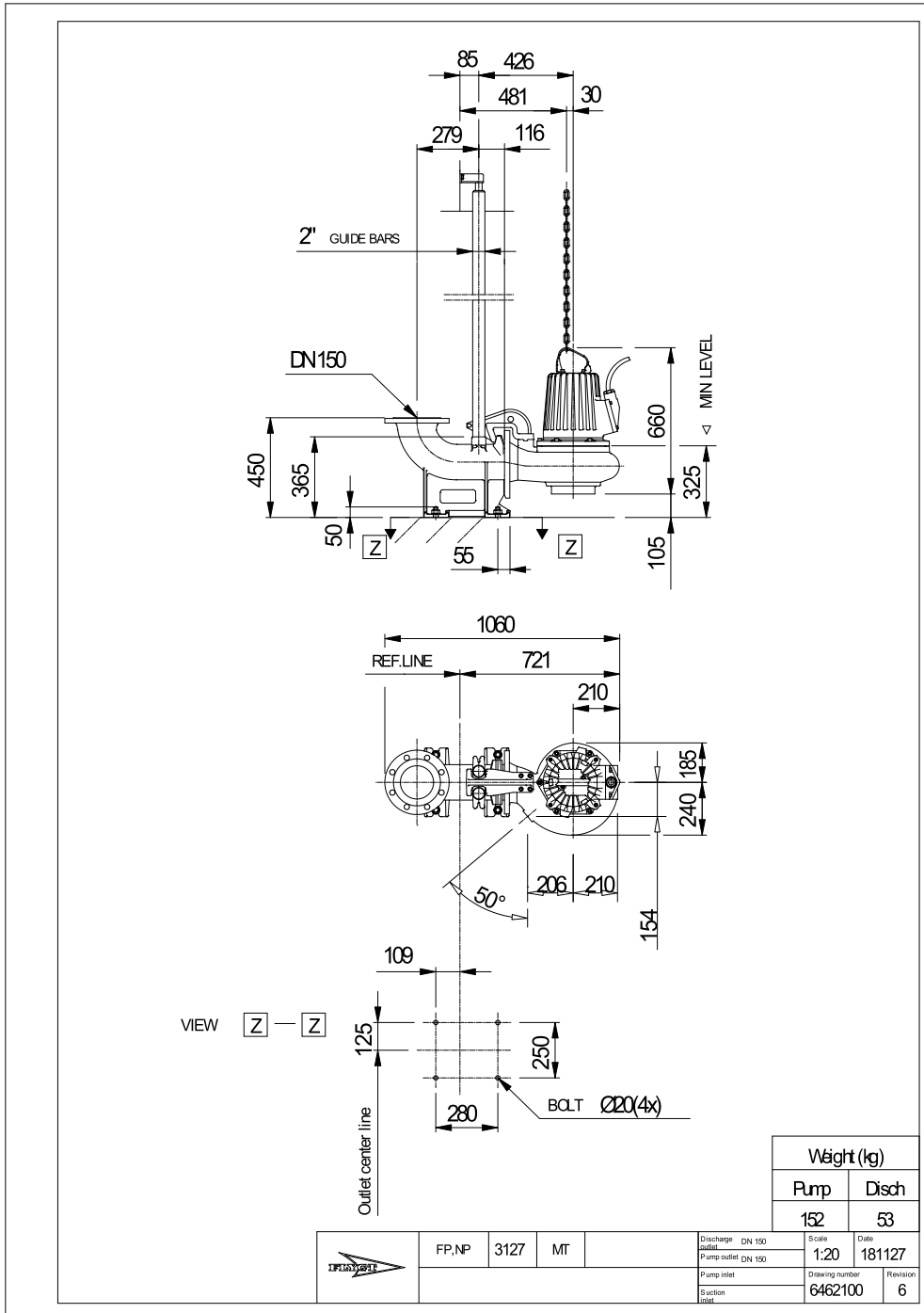
Operating Characteristics

Pumps / Systems	Frequency	Flow m³/h	Head m	Shaft power kW	Flow m³/h	Head m	Shaft power kW	Hydr. eff.	Specific energy kWh/m³	NPSHre m
-----------------	-----------	--------------	-----------	-------------------	--------------	-----------	-------------------	------------	---------------------------	-------------

Project	Created by			
Block	Created on	1/14/2022	Last update	1/14/2022

NP 3127 MT 3~ Adaptive 437

Dimensional drawing



Project
Block

Created by
Created on 1/14/2022 Last update 1/14/2022