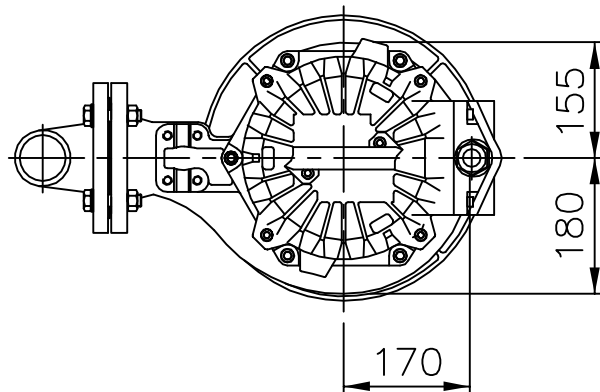


VIEW -



Weight (kg)	
Total incl. stand	
155	

 AUTOCAD DRAWING	Denomination Dimensional drwg CS 3127 SH,HT Dia 75	Drawn by NK Scale 1:10	Checked by 5390200	Date 101014 Reg no 5399
				6