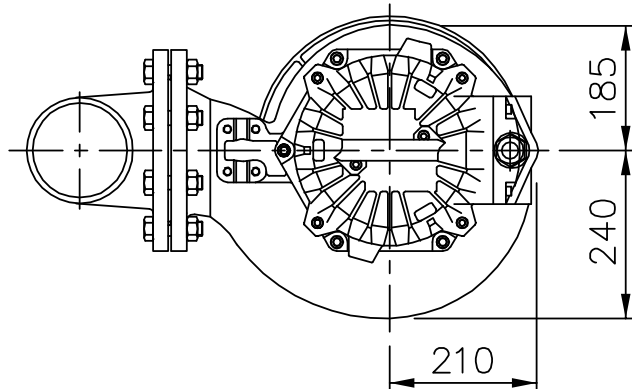


VIEW -



Weight (kg)
Total incl. stand
165

	Denomination	Drawn by	Checked by	Date
	Dimensional drwg	Klas	EGC	880209
	CS 3127 MT	Scale	1:10	Reg no
	Dia 150	5389800		4