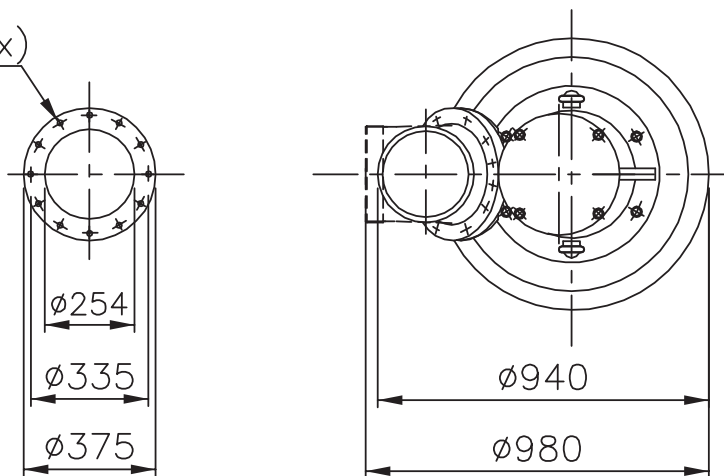



5/8 UNC (12x)

VIEW A—B



SCREEN OPENING 15x45

Weight (kg)
Total
540

 AUTOCAD DRAWING	Denomination Dimensional drwg BS 2250.011 MT DN 250,Std,Strainer	Drawn by MN Scale 1:20	Checked by EDH Reg no 5299	Date 890531 5523500	0
---	---	---------------------------	-------------------------------	------------------------	---