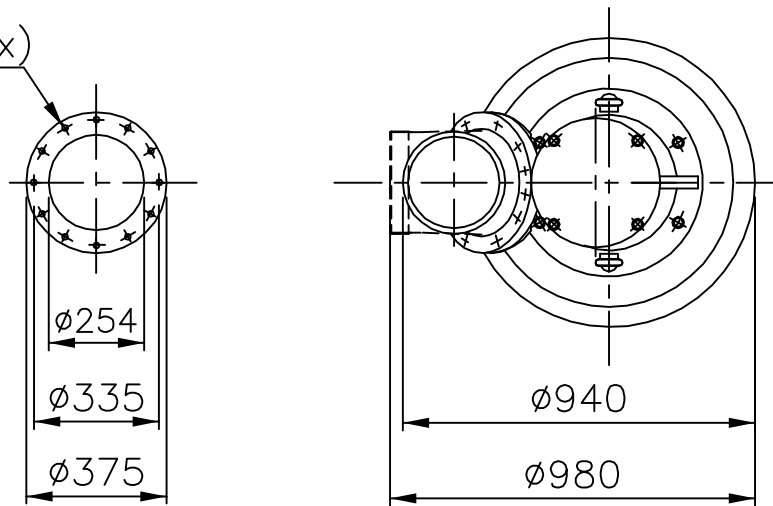



5/8 UNC (12x)

VIEW A-A



SCREEN OPENING 15x45

Weight (kg)
Total
540

 AUTOCAD DRAWING	Denomination Dimensional drwg BS 2250.011 MT DN 250,Std,Strainer	Drawn by MN Scale 1:20 5523500	Checked by EDH Reg no 5299	Date 890531 0
---	---	--------------------------------------	-------------------------------	------------------