

BS 2660 HT 3~ 251

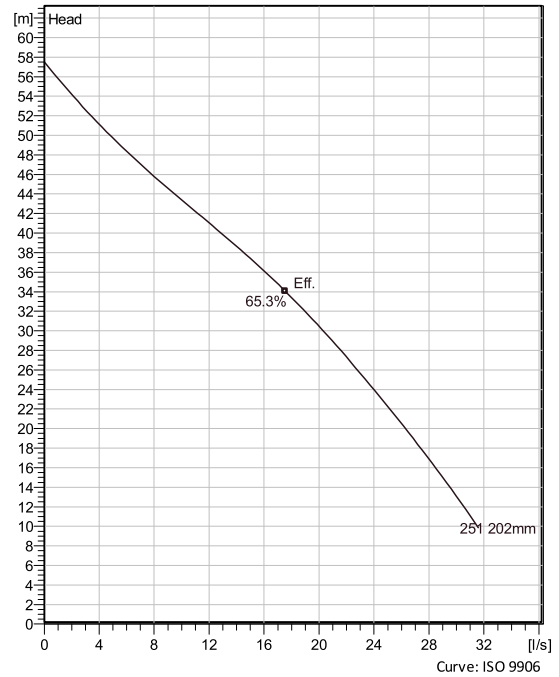
Portable pumps ideal for applications in which the water or liquid contains concentrations of abrasives.



Technical specification



Curves according to: Water, pure Water, pure [100%], 4 °C, 999.9 kg/m³, 1.5692 mm²/s



Configuration

Motor number B2660.181 18-15-2BB-W 10KW	Installation type S - Portable Semi permanent, Wet
Impeller diameter 202 mm	Discharge diameter 100 mm

Pump information

Impeller diameter 202 mm
Discharge diameter 100 mm
Inlet diameter 82 mm
Maximum operating speed 2870 rpm
Number of blades 2
Max. fluid temperature 40 °C

Materials

Impeller Hard-Iron
Stator housing material Aluminium

Project
Block

Created by
Created on 1/14/2022 **Last update** 1/14/2022

BS 2660 HT 3~ 251

Technical specification



Motor - General

Motor number B2660.181 18-15-2BB-W 10KW	Phases 3~	Rated speed 2870 rpm	Rated power 10 kW
Approval No	Number of poles 2	Rated current 19 A	Stator variant 2
Frequency 50 Hz	Rated voltage 400 V	Insulation class H	Type of Duty S1
Version code 181			

Motor - Technical

Power factor - 1/1 Load 0.87	Motor efficiency - 1/1 Load 85.8 %	Total moment of inertia 0.0263 kg m ²	Starts per hour max. 30
Power factor - 3/4 Load 0.82	Motor efficiency - 3/4 Load 87.4 %	Starting current, direct starting 119 A	
Power factor - 1/2 Load 0.71	Motor efficiency - 1/2 Load 87.6 %	Starting current, star-delta 39.6 A	

Project
Block

Created by
Created on 1/14/2022 **Last update** 1/14/2022

BS 2660 HT 3~ 251

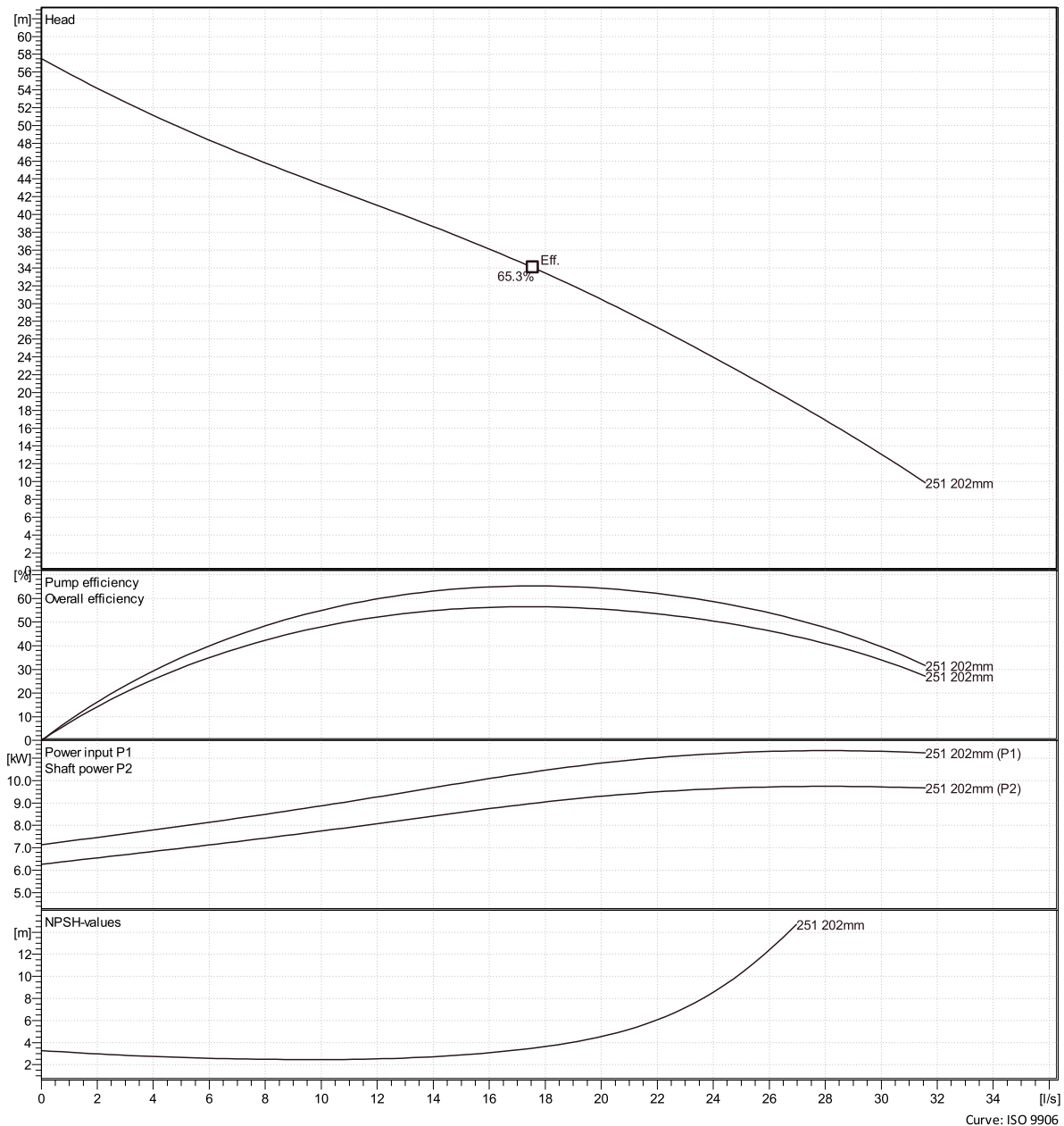
Performance curve



Duty point

Flow Head

Curves according to: Water, pure Water, pure [100%], 4 °C, 999.9 kg/m³, 1.5692 mm²/s



Project

Created by

Block

Created on

1/14/2022

Last update

1/14/2022

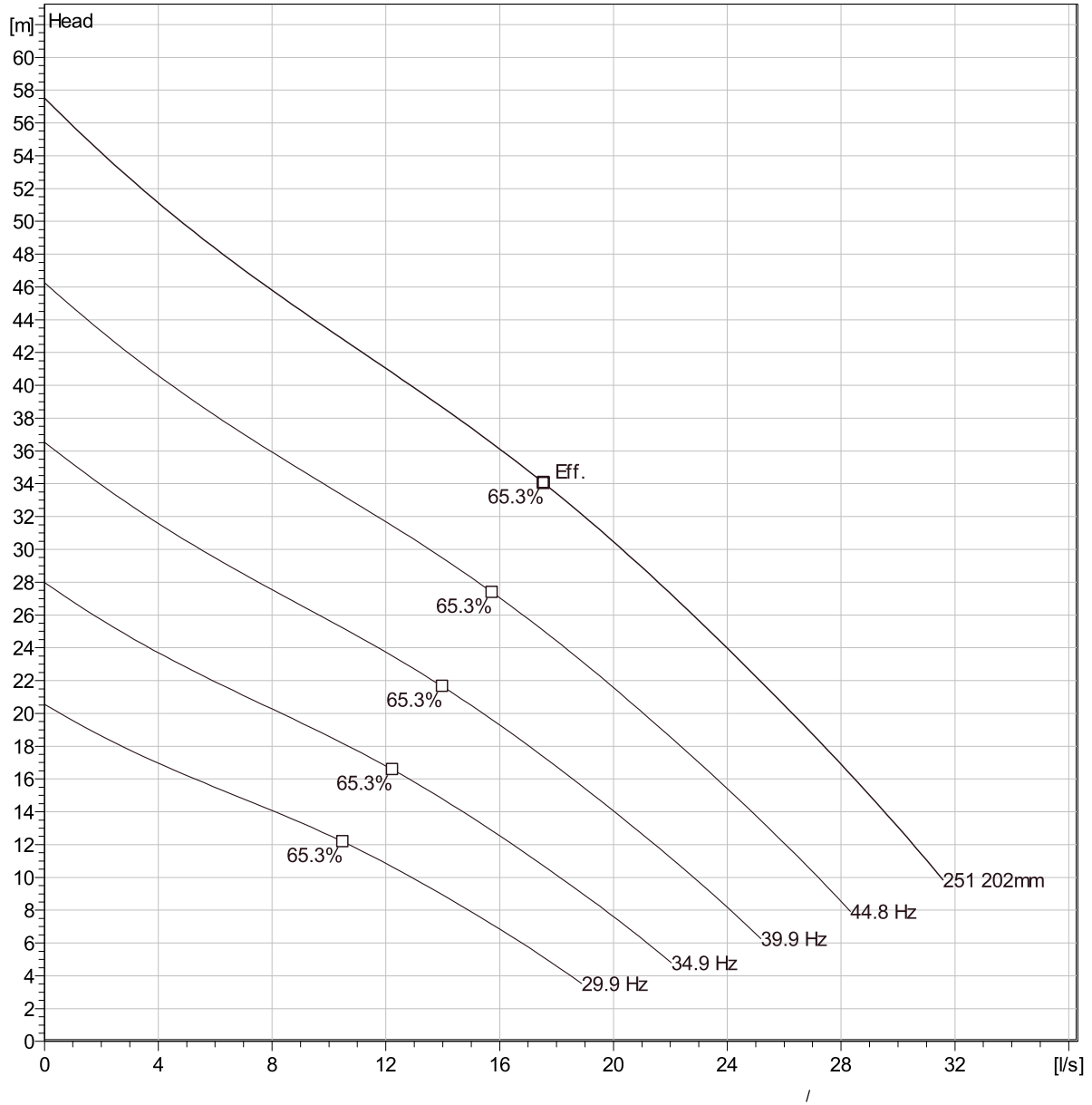
Curve: ISO 9906

BS 2660 HT 3~ 251

Duty Analysis



Curves according to: Water, pure [100%]; 4°C; 999.9kg/m³; 1.5692mm²/s



Operating characteristics

Pumps / Systems	Flow l/s	Head m	Shaft power kW	Flow l/s	Head m	Shaft power kW	Hydr. eff.	Spec. Energy kWh/m ³	NPSHre m
-----------------	-------------	-----------	-------------------	-------------	-----------	-------------------	------------	------------------------------------	-------------

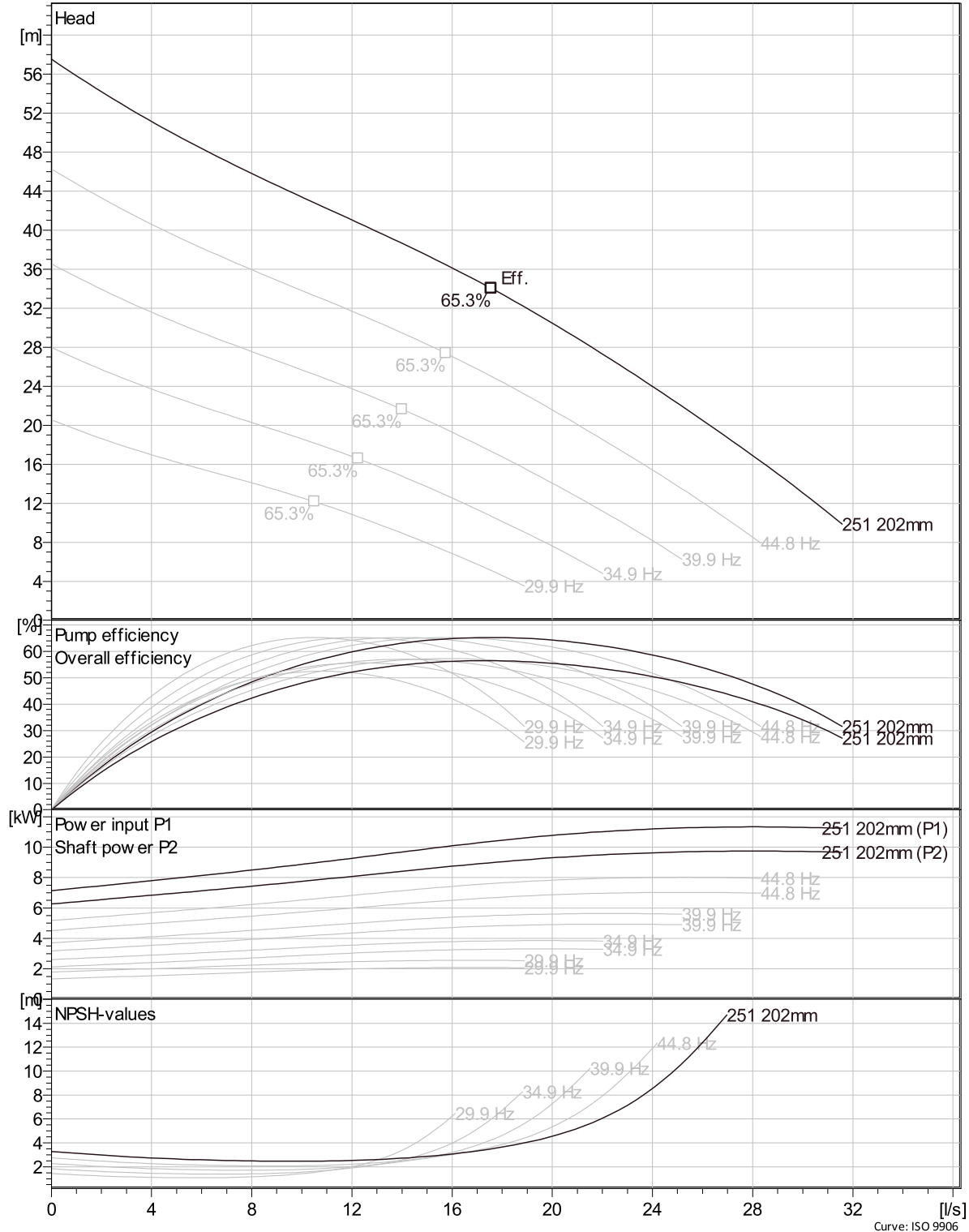
Project	Created by								
Block	Created on	1/14/2022	Last update	1/14/2022					

BS 2660 HT 3~ 251

VFD Curve



Curves according to: Water, pure, 4 °C, 999.9 kg/m³, 1.5692 mm²/s



Curve: ISO 9906

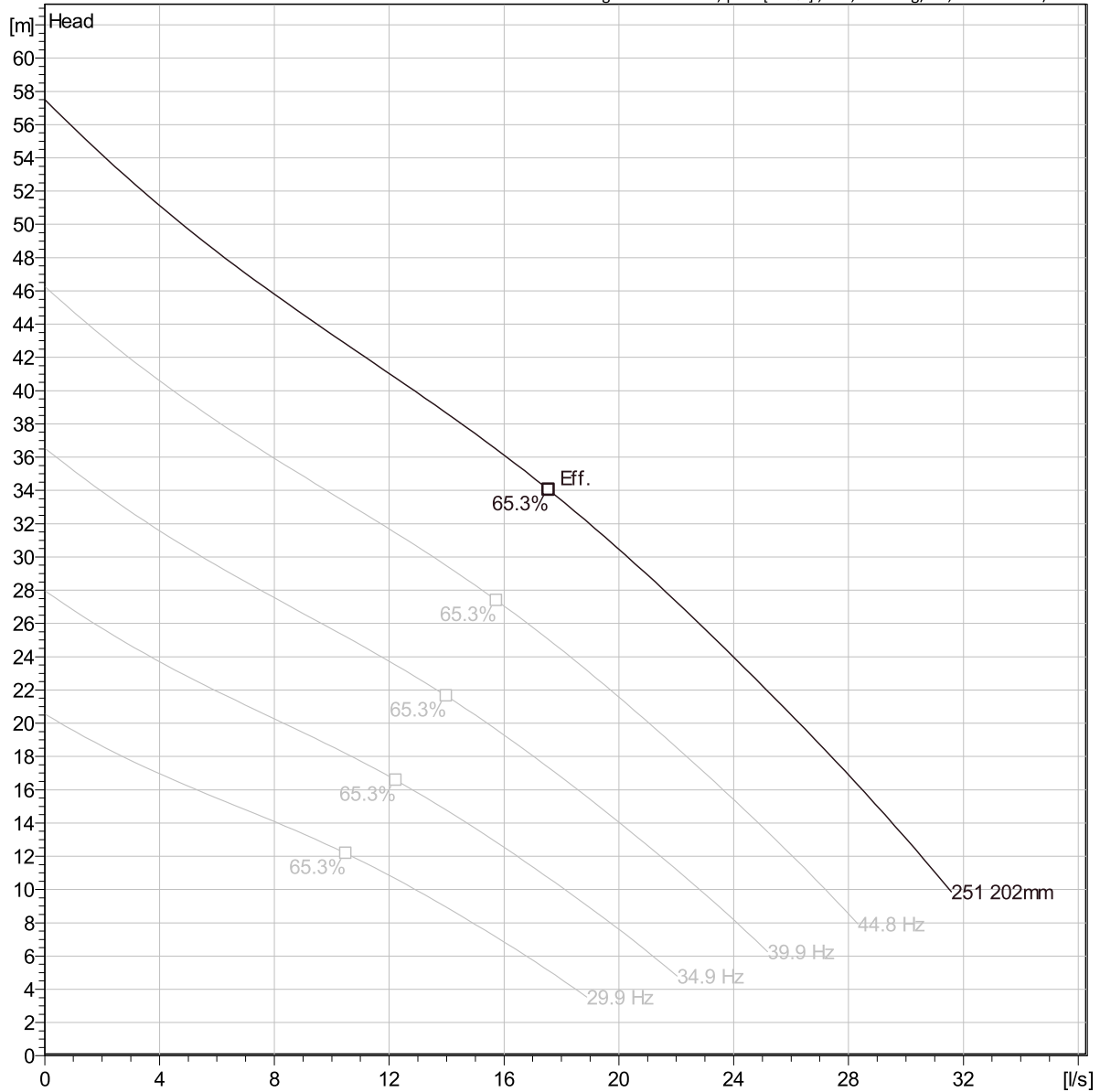
Project	Created by		
Block	Created on	1/14/2022	Last update 1/14/2022

BS 2660 HT 3~ 251

VFD Analysis



Curves according to: Water, pure [100%] ; 4°C; 999.9kg/m³; 1.5692mm²/s



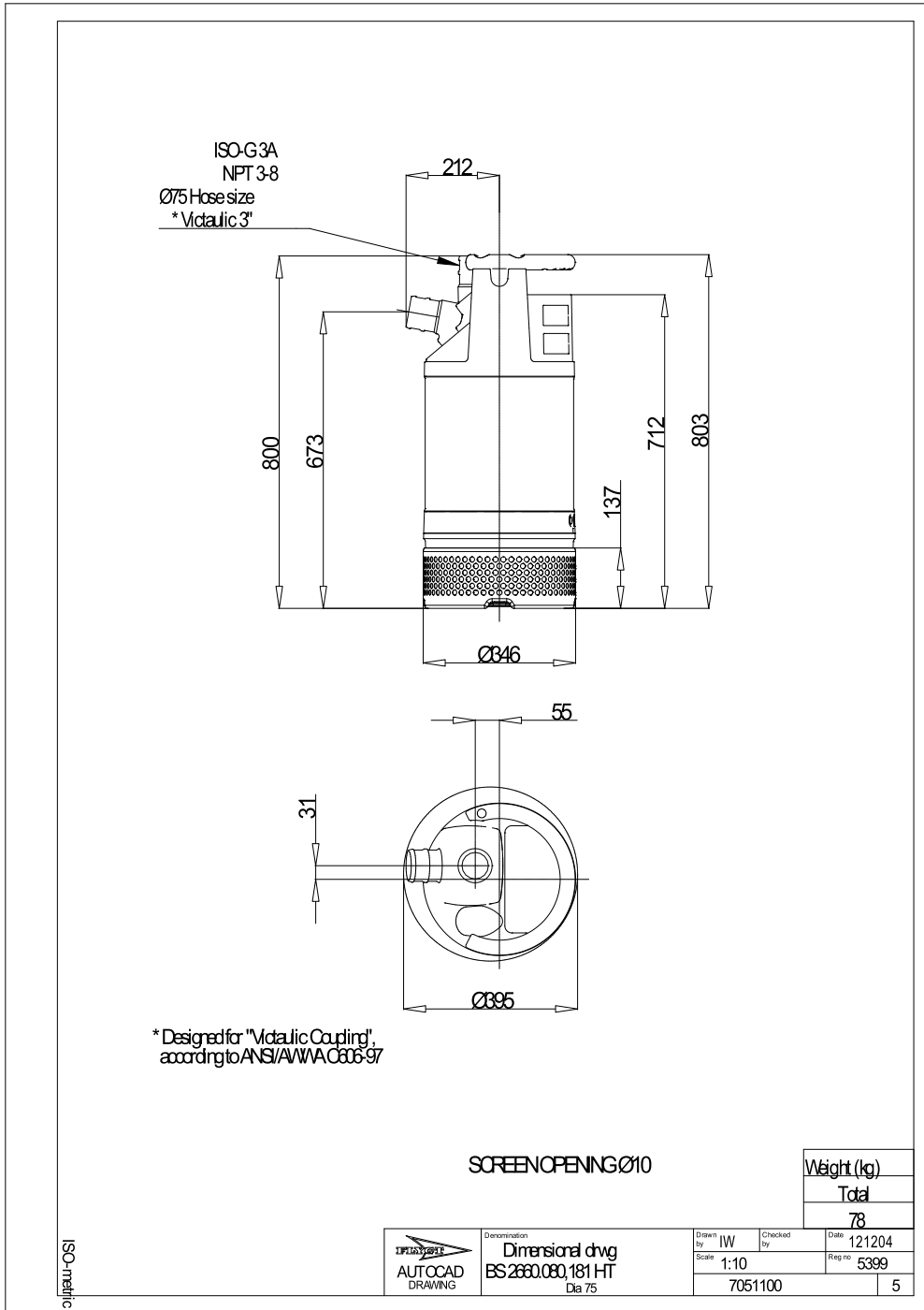
Operating Characteristics

Pumps / Systems	Frequency	Flow	Head	Shaft power	Flow	Head	Shaft power	Hydr. eff.	Specific energy	NPSHre
		l/s	m	kW	l/s	m	kW		kWh/m ³	m

Project	Created by			
Block	Created on	1/14/2022	Last update	1/14/2022

BS 2660 HT 3~ 251

Dimensional drawing



Project	Created by
Block	Created on 1/14/2022 Last update 1/14/2022