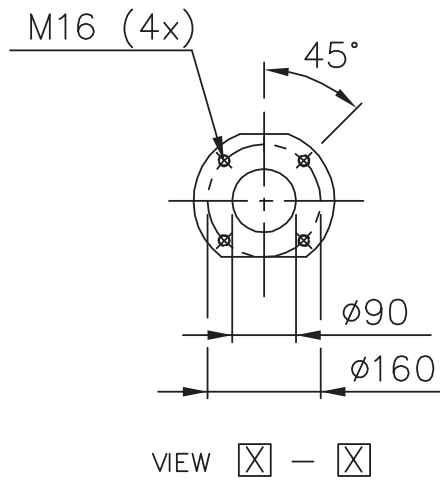
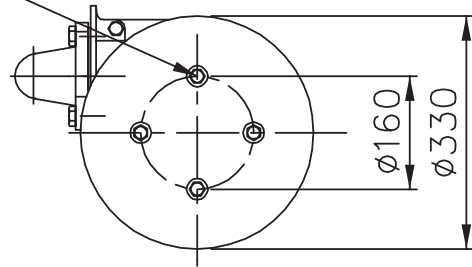
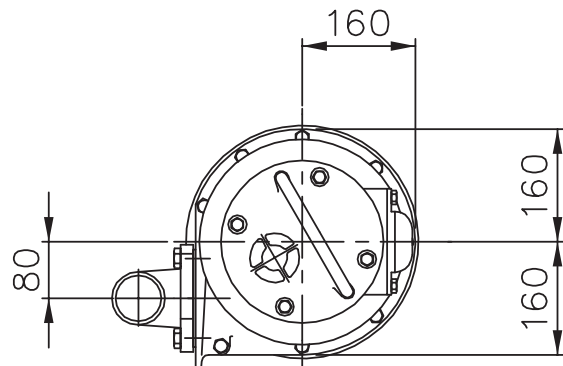
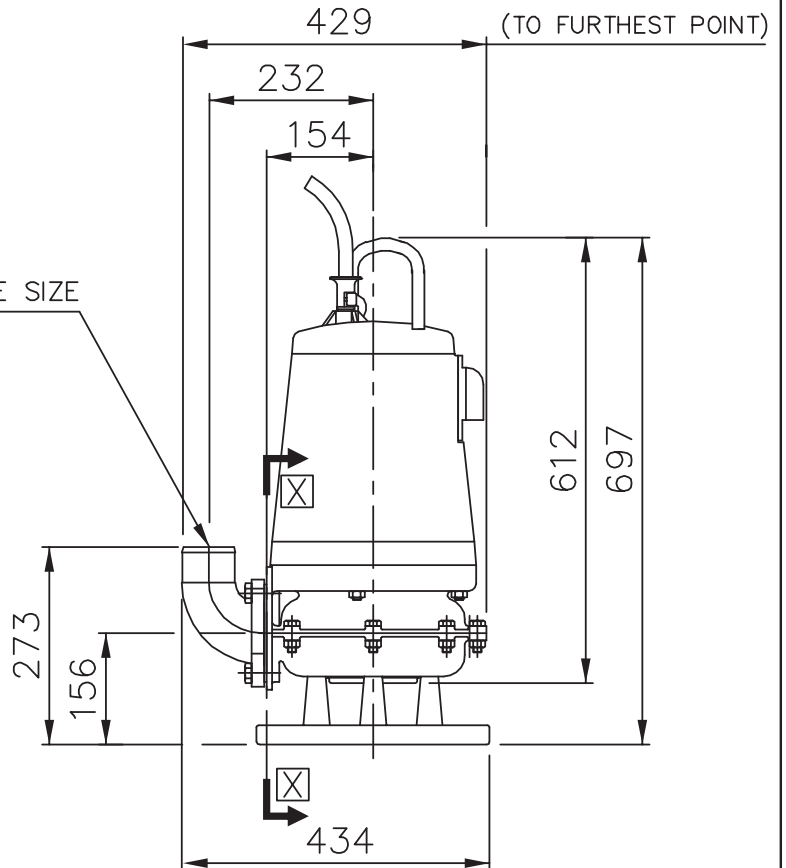


M12 (4x)  
 THREADED HOLES PUMP HOUSING



ø80 HOSE SIZE



Weight (kg)
Total incl. stand
AL 62/CI 100

ISO-metric

<p>AUTOCAD DRAWING</p>	<p>Denomination          Dimensional drwg          DS 3080.210,211,310,311          Dia 80</p>	Drawn by M.P.	Checked by BW	Date 890112
		Scale 1:10		Reg no 5399
		5526200		2