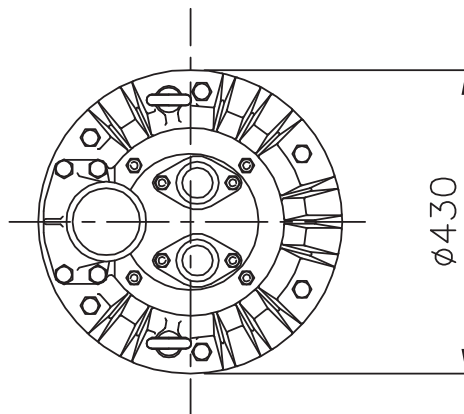
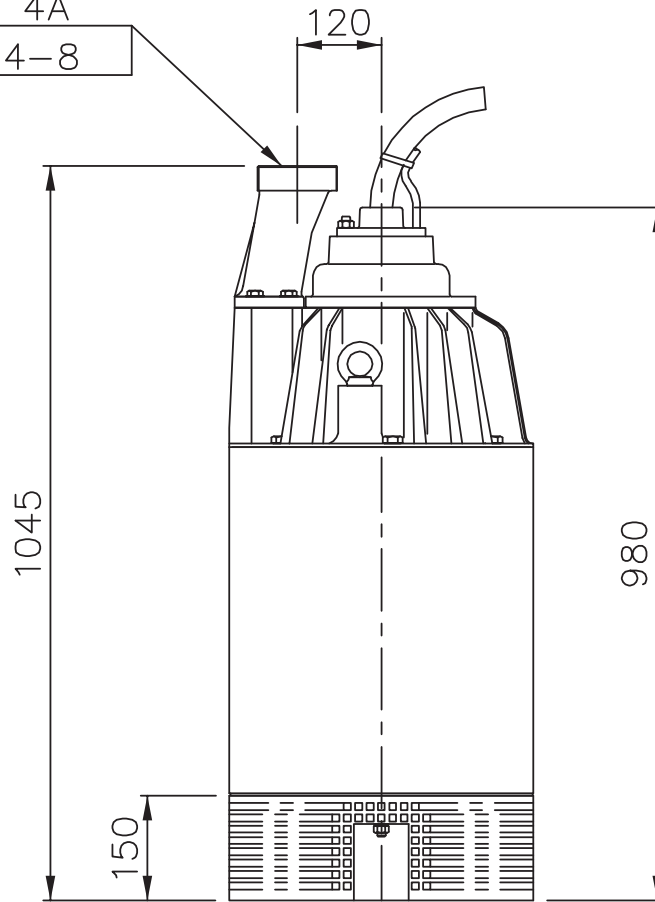



ISO-G 4A
NPSM 4-8



SCREEN OPENING 10x10

Weight (kg)
Total
240

 AUTOCAD DRAWING	Denomination	Drawn by	Checked by	Date
	Dimensional drwg	MN		890310
	BS 2201.011 HT	Scale	1:10	Reg no
ISO-G 4A,Std,Strainer	5521600		1	