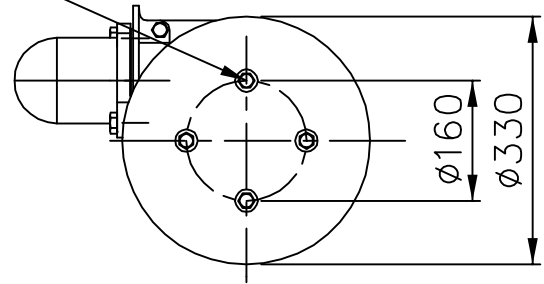
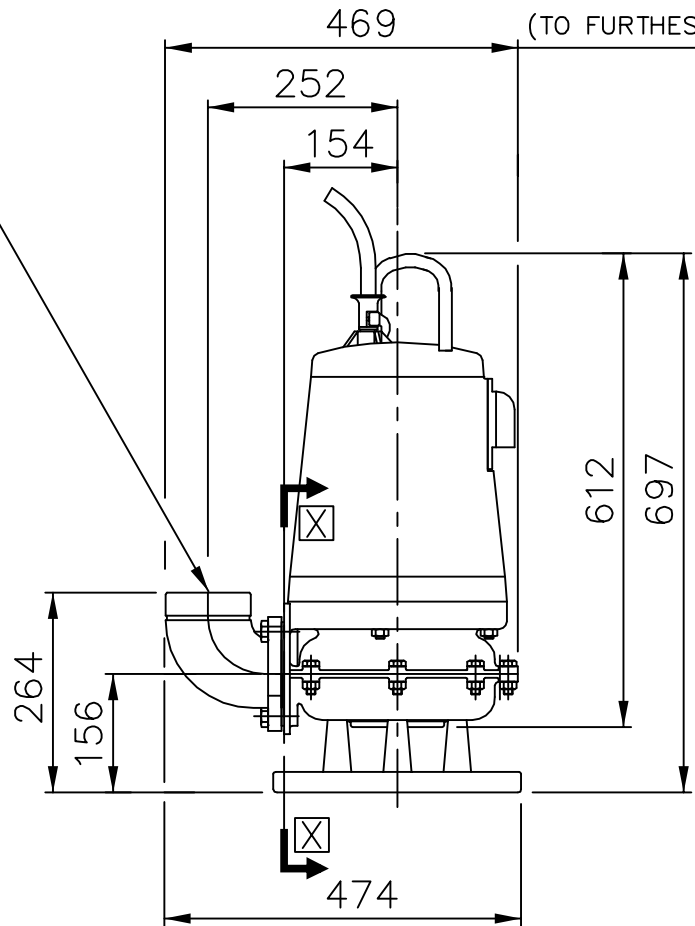


M12 (4x)
 THREADED HOLES PUMP HOUSING

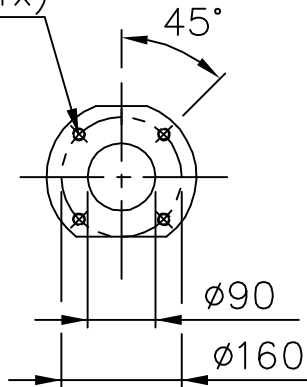


ISO-G 4A
 NPSM 4-8

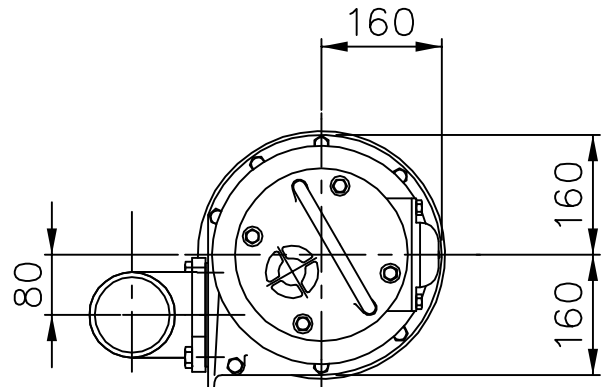
(TO FURTHEST POINT)



M16 (4x)



VIEW -



Weight (kg)

Total incl. stand
 AL 62/CI 100

ISO-metric

 AUTOCAD DRAWING	Denomination Dimensional drwg DS 3080.210,211,310,311 ISO-G 4A	Drawn by M.P.	Checked by BW	Date 890112
	Scale 1:10	Reg no 5399	5526500	3