

DS 3080 MT 3~ 431

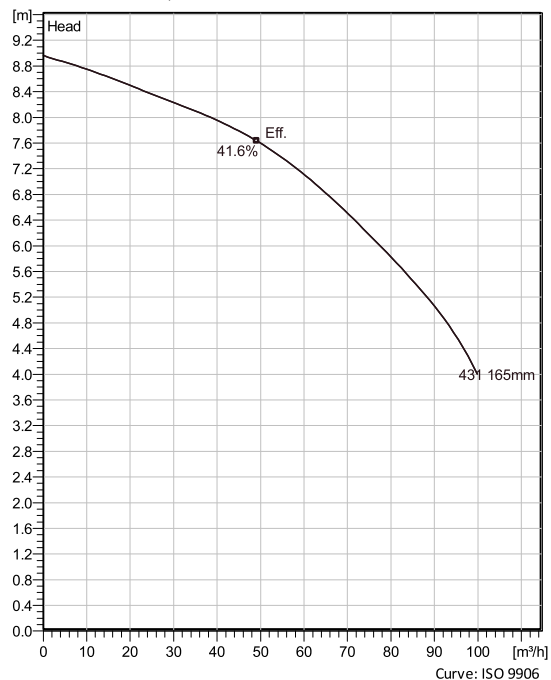
Portable pumps with vortex impellers ideal for applications in which the water or liquid contains concentrations of abrasives when clogging problems can occur.



Technical specification



Curves according to: Water, pure ,4 °C,999.9 kg/m³,1.5692 mm²/s



Configuration

Motor number D3080.311 17-11-4AA-W 4KW	Installation type S - Portable Semi permanent, Wet
Impeller diameter 165 mm	Discharge diameter 100 mm

Pump information

Impeller diameter 165 mm
Discharge diameter 100 mm
Inlet diameter
Maximum operating speed 1385 rpm
Number of blades 8
Max. fluid temperature 40 °C

Materials

Impeller Hard-Iron
Stator housing material Grey cast iron

Project
Block

Created by
Created on 7/8/2021 Last update 7/8/2021

DS 3080 MT 3~ 431

Technical specification



Motor - General

Motor number D3080.311 17-11-4AA-W 4KW	Phases 3~	Rated speed 1385 rpm	Rated power 4 kW
Approval No	Number of poles 4	Rated current 9.1 A	Stator variant 38
Frequency 50 Hz	Rated voltage 400 V	Insulation class H	Type of Duty S1
Version code 311			

Motor - Technical

Power factor - 1/1 Load 0.78	Motor efficiency - 1/1 Load 81.0 %	Total moment of inertia 0.015 kg m ²	Starts per hour max. 15
Power factor - 3/4 Load 0.71	Motor efficiency - 3/4 Load 83.0 %	Starting current, direct starting 41 A	
Power factor - 1/2 Load 0.57	Motor efficiency - 1/2 Load 83.0 %	Starting current, star-delta 13.7 A	

Project
Block

Created by
Created on 7/8/2021 **Last update** 7/8/2021

DS 3080 MT 3~ 431

Performance curve

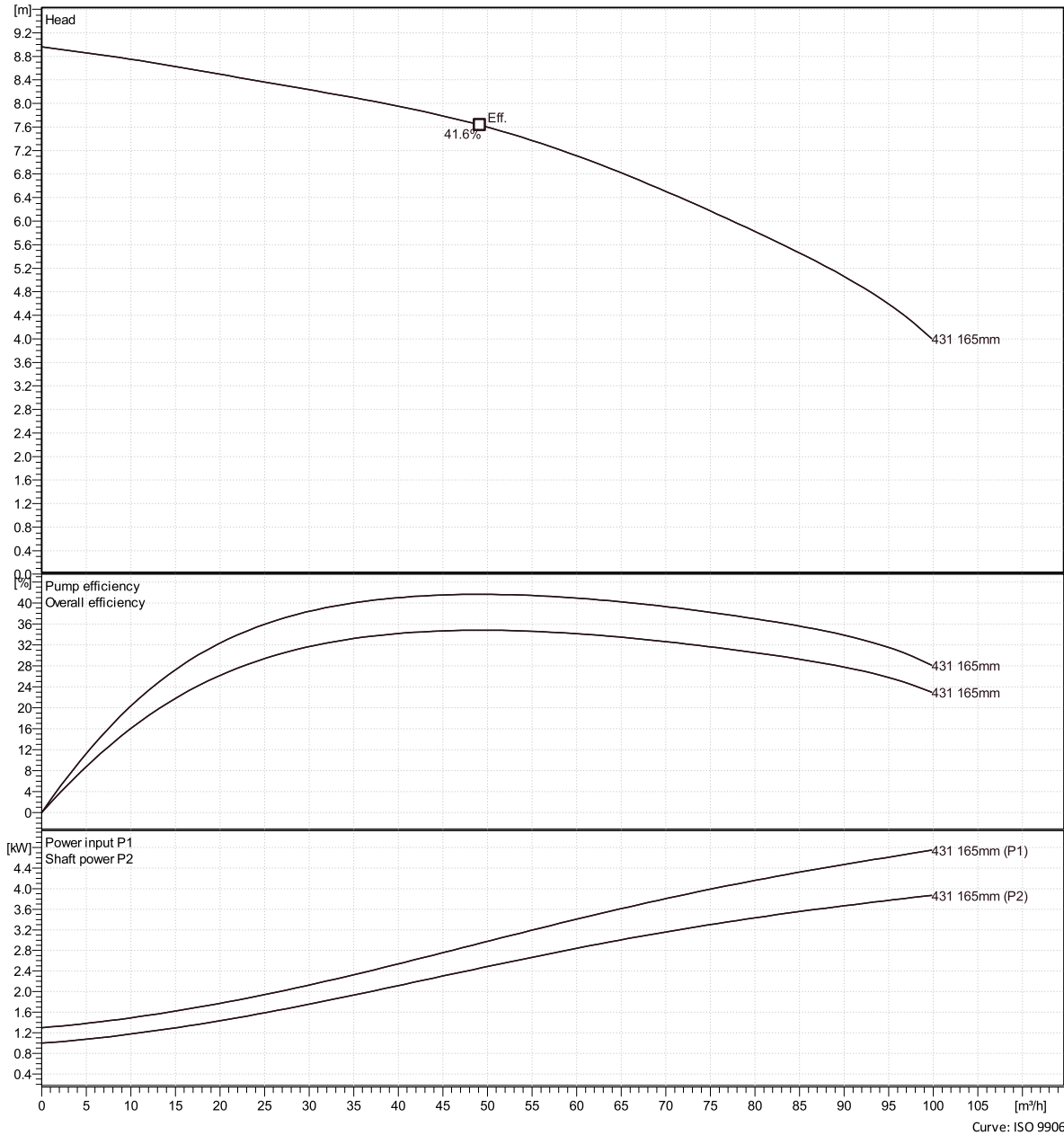


Duty point

Flow

Head

Curves according to: Water, pure 4 °C, 999.9 kg/m³, 1.5692 mm²/s



Project
Block

Created by
Created on 7/8/2021 Last update 7/8/2021

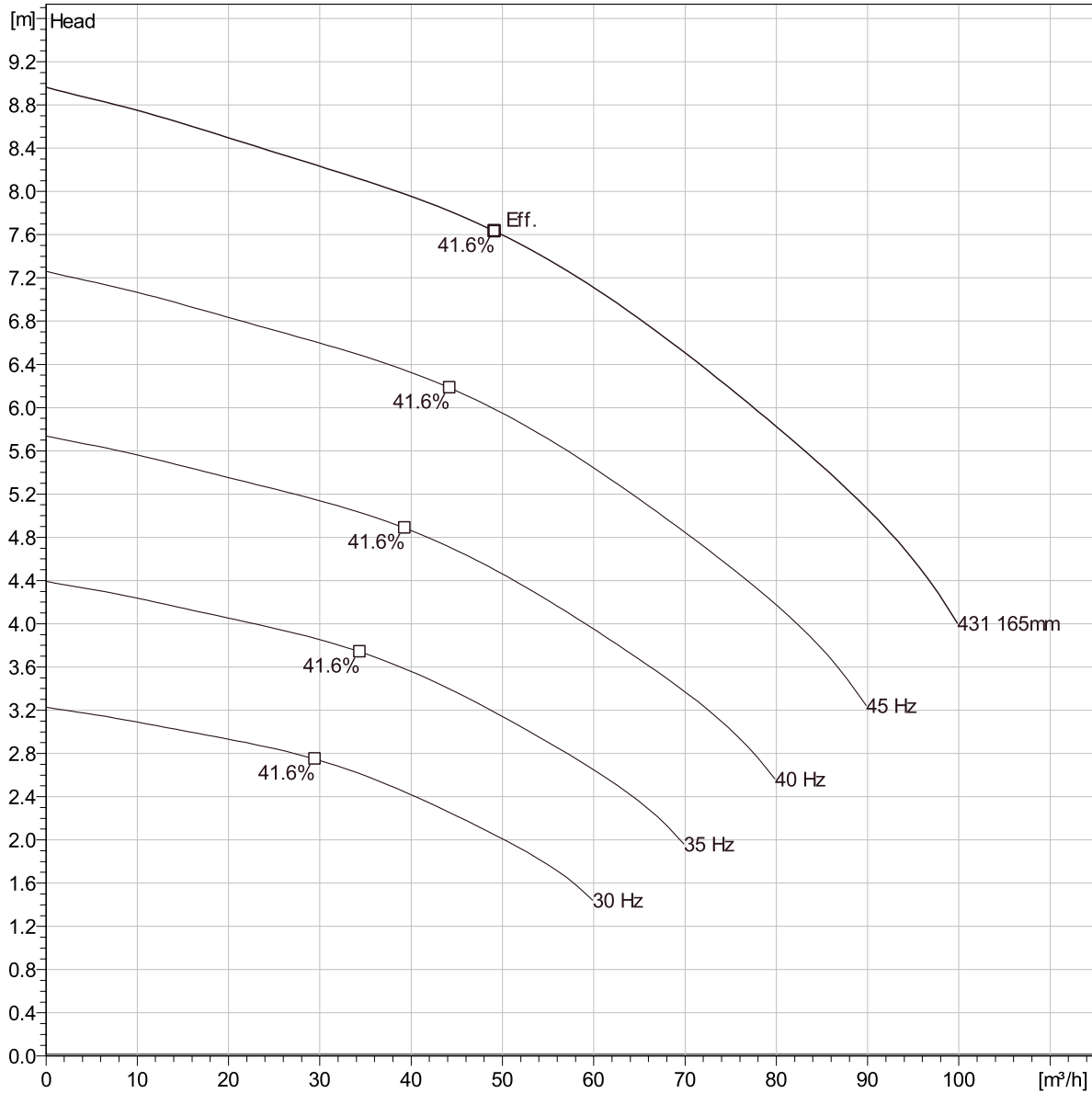
Curve: ISO 9906

DS 3080 MT 3~ 431

Duty Analysis



Curves according to: Water, pure, 4 °C, 999.9 kg/m³, 1.5692 mm²/s



Operating characteristics

Pumps / Systems	Flow	Head	Shaft power	Flow	Head	Shaft power	Hydr.eff.	Specific Energy	NPSHre
-----------------	------	------	-------------	------	------	-------------	-----------	-----------------	--------

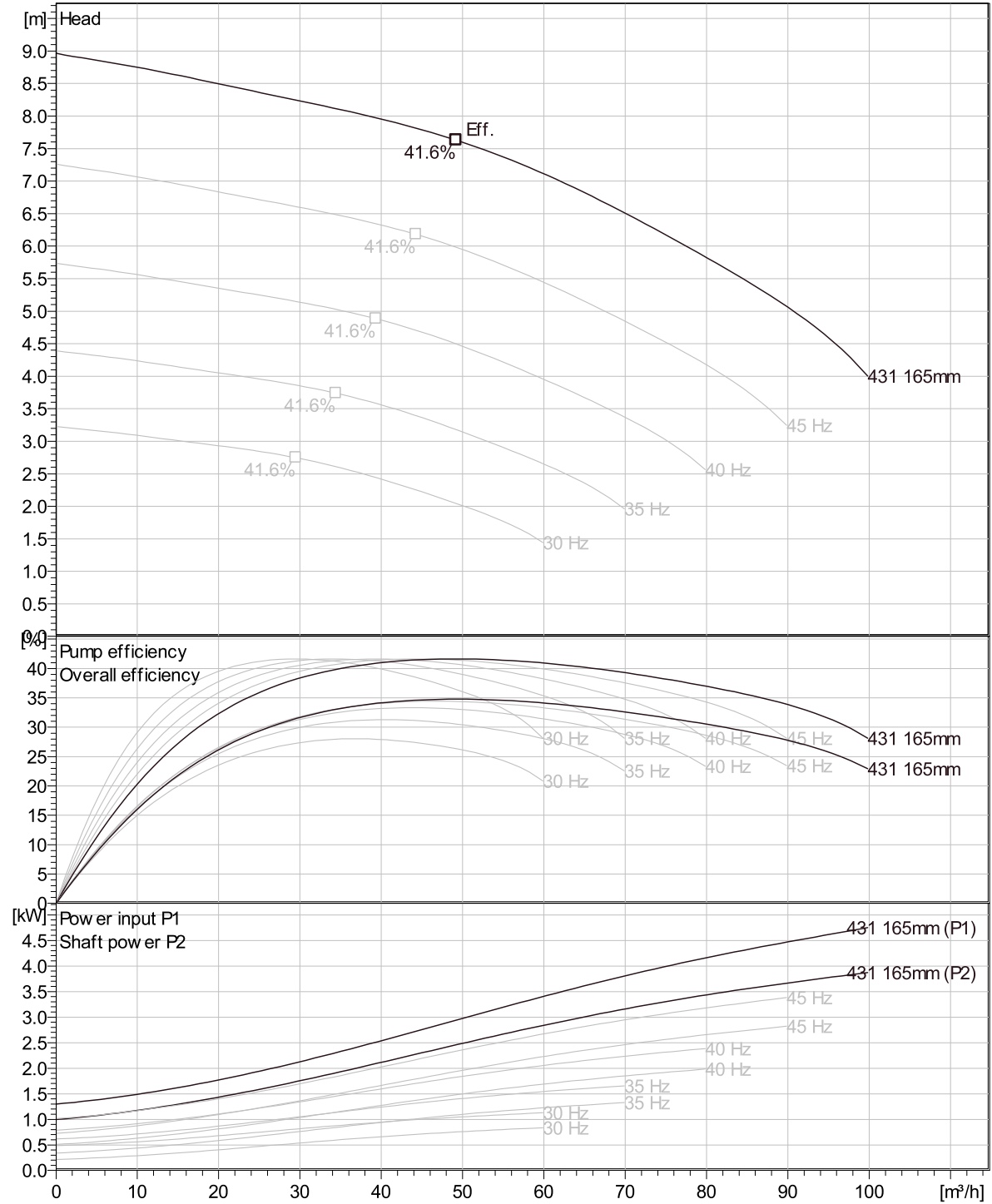
Project	Created by								
Block	Created on	7/8/2021	Last update	7/8/2021					

DS 3080 MT 3~ 431

VFD Curve



Curves according to: Water, pure, 4 °C, 999.9 kg/m³, 1.5692 mm²/s

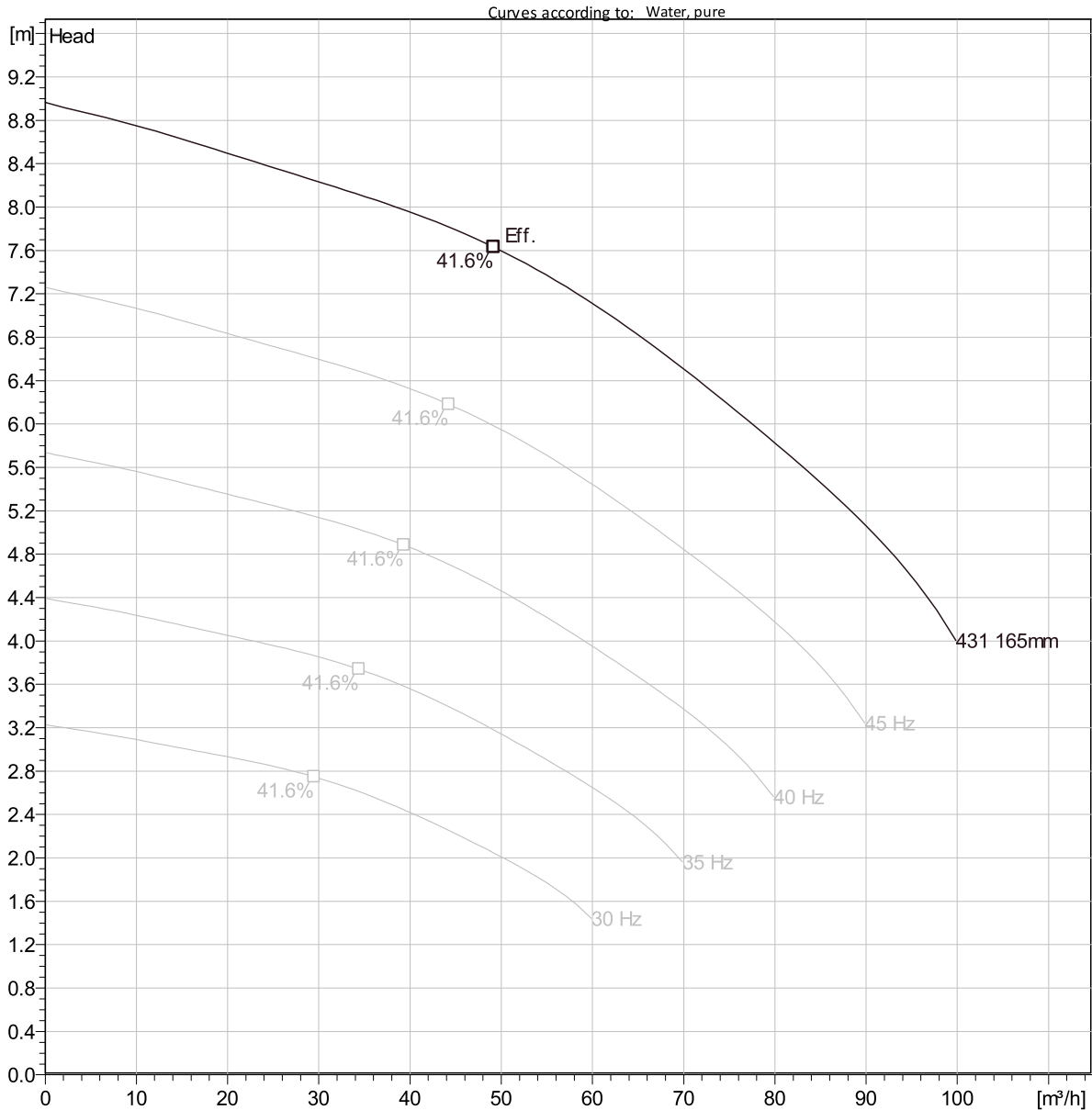


Curve: ISO 9906

Project	Created by		
Block	Created on	7/8/2021	Last update 7/8/2021

DS 3080 MT 3~ 431

VFD Analysis



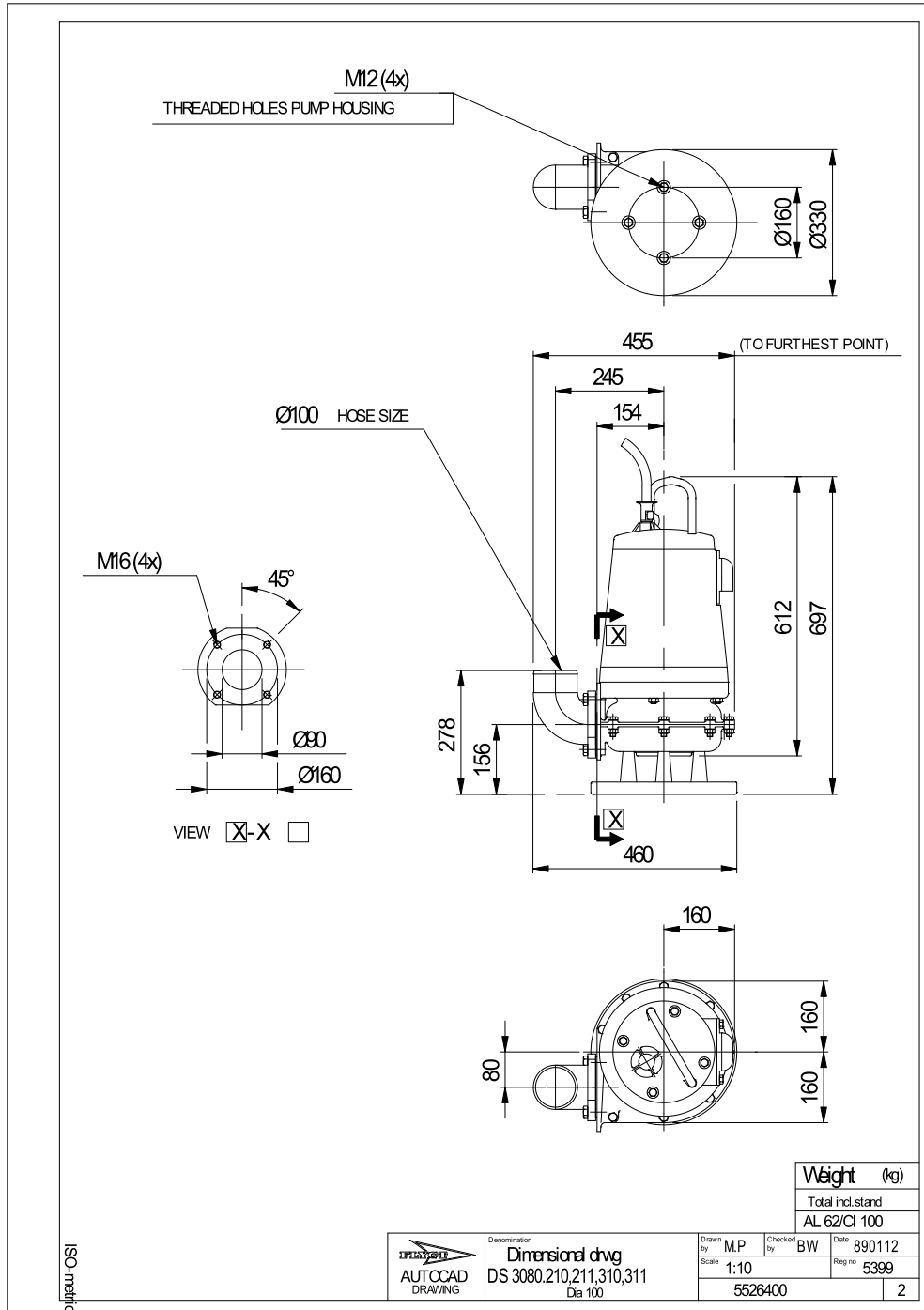
Operating characteristics

Pumps / Systems	Frequency	Flow	Head	Shaft power	Flow	Head	Shaft power	Hydr. eff.	Specific Energy	NPSHre
-----------------	-----------	------	------	-------------	------	------	-------------	------------	-----------------	--------

Project	Created by
Block	Created on 7/8/2021 Last update 7/8/2021

DS 3080 MT 3~ 431

Dimensional drawing



Project
Block

Created by
Created on 7/8/2021 Last update 7/8/2021