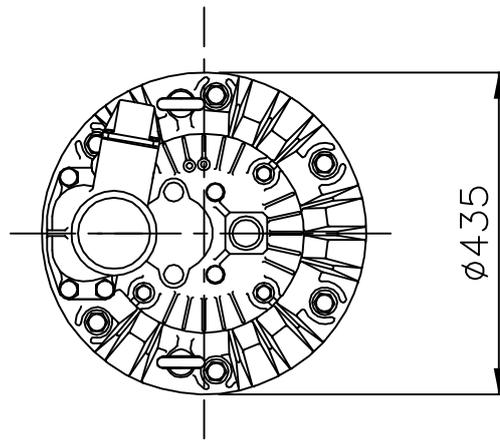
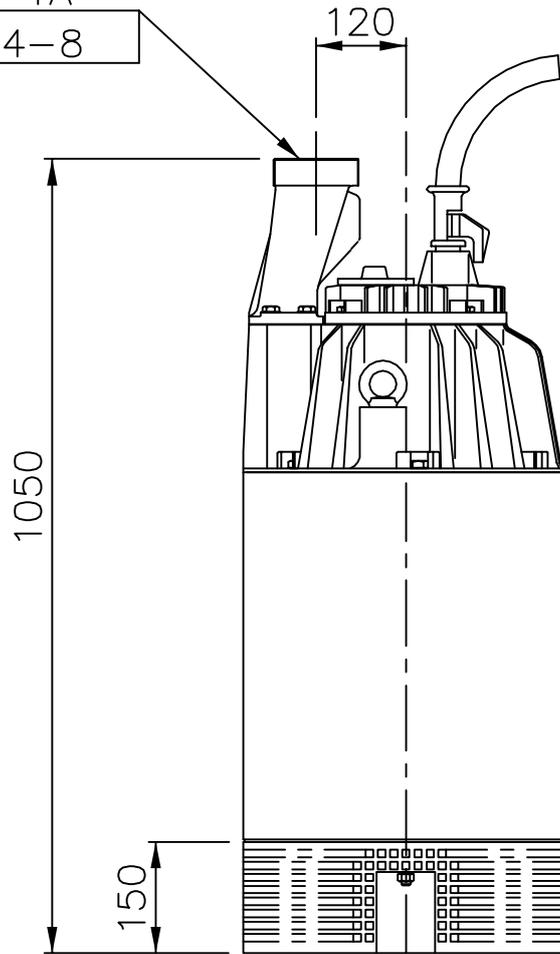


ISO-G 4A
NPSM 4-8



SCREEN OPENING 10x10

Weight (kg)

Total

350

FLIGHT
AUTOCAD
DRAWING

Denomination
Dimensional drwg
BS 2201.590,690 HT
ISO-G 4A,Std,Strainer

Drawn by	JMg	Checked by	BW	Date	901005
Scale	1:10		Reg no	5299	
5662900				2	